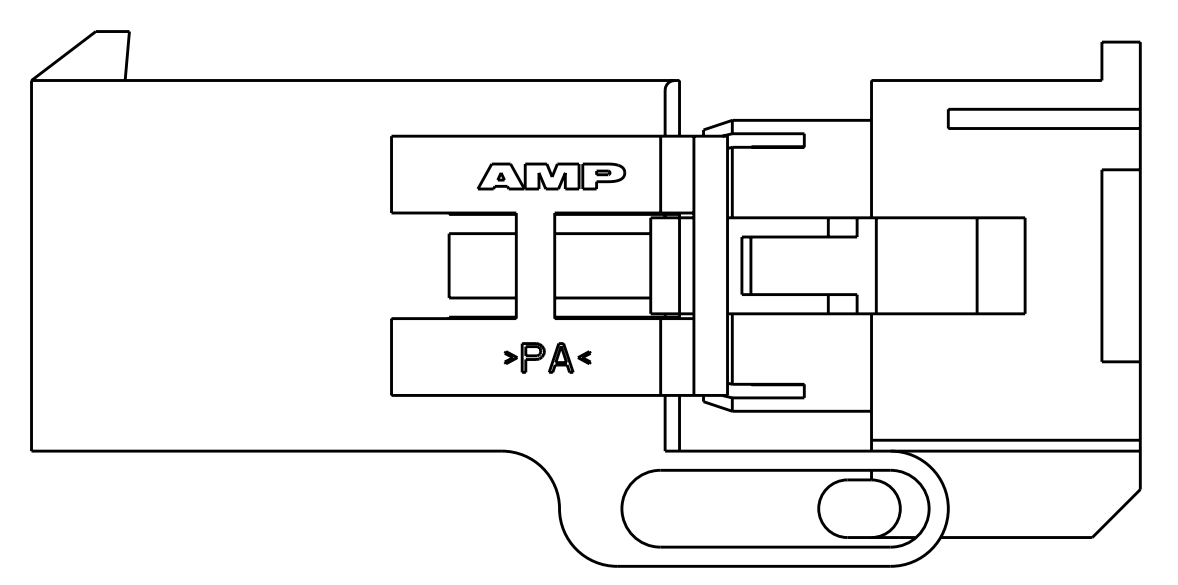
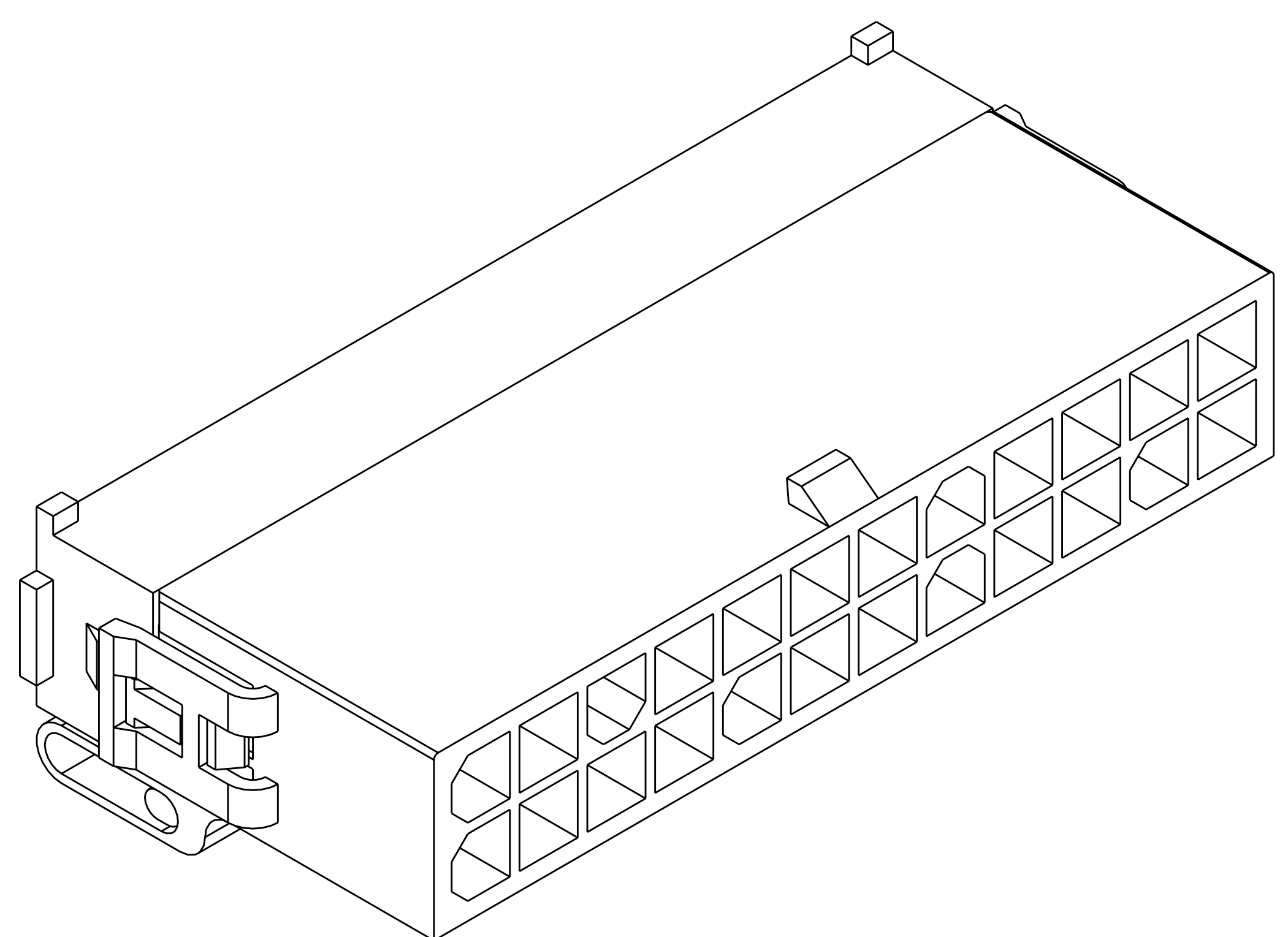
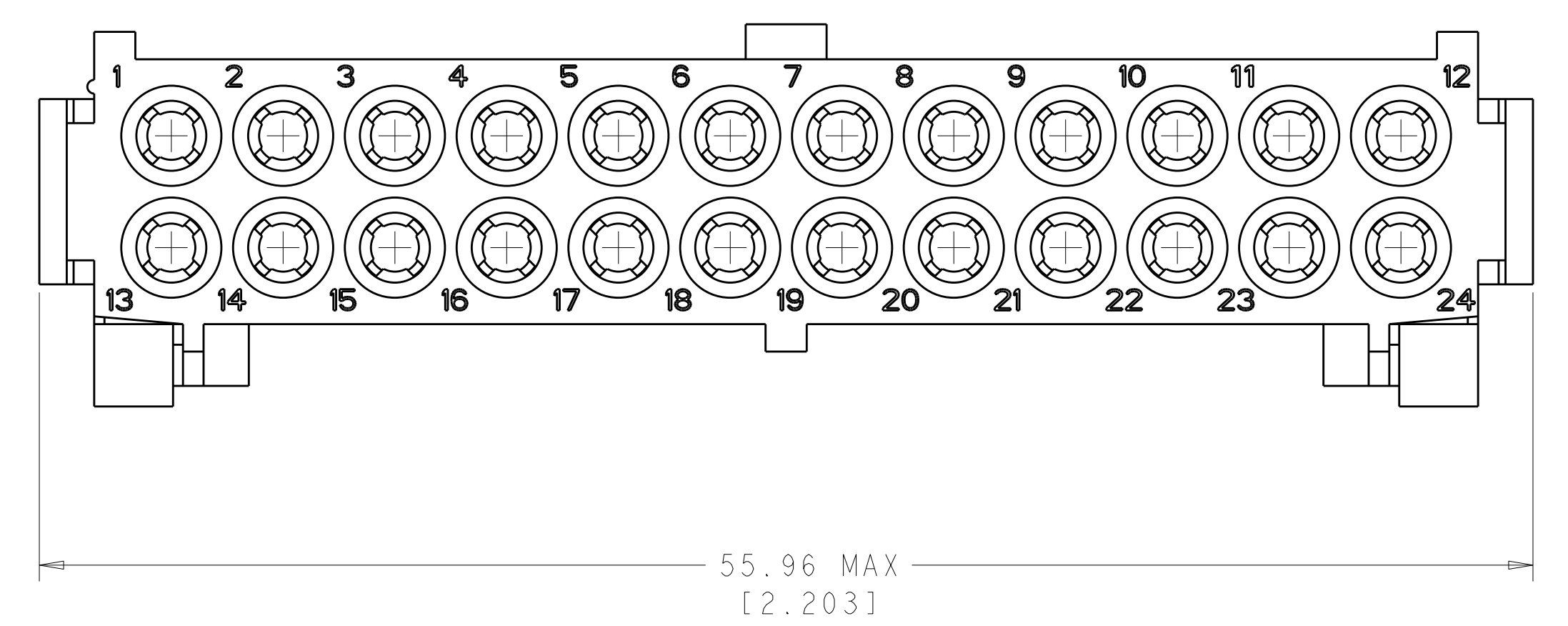
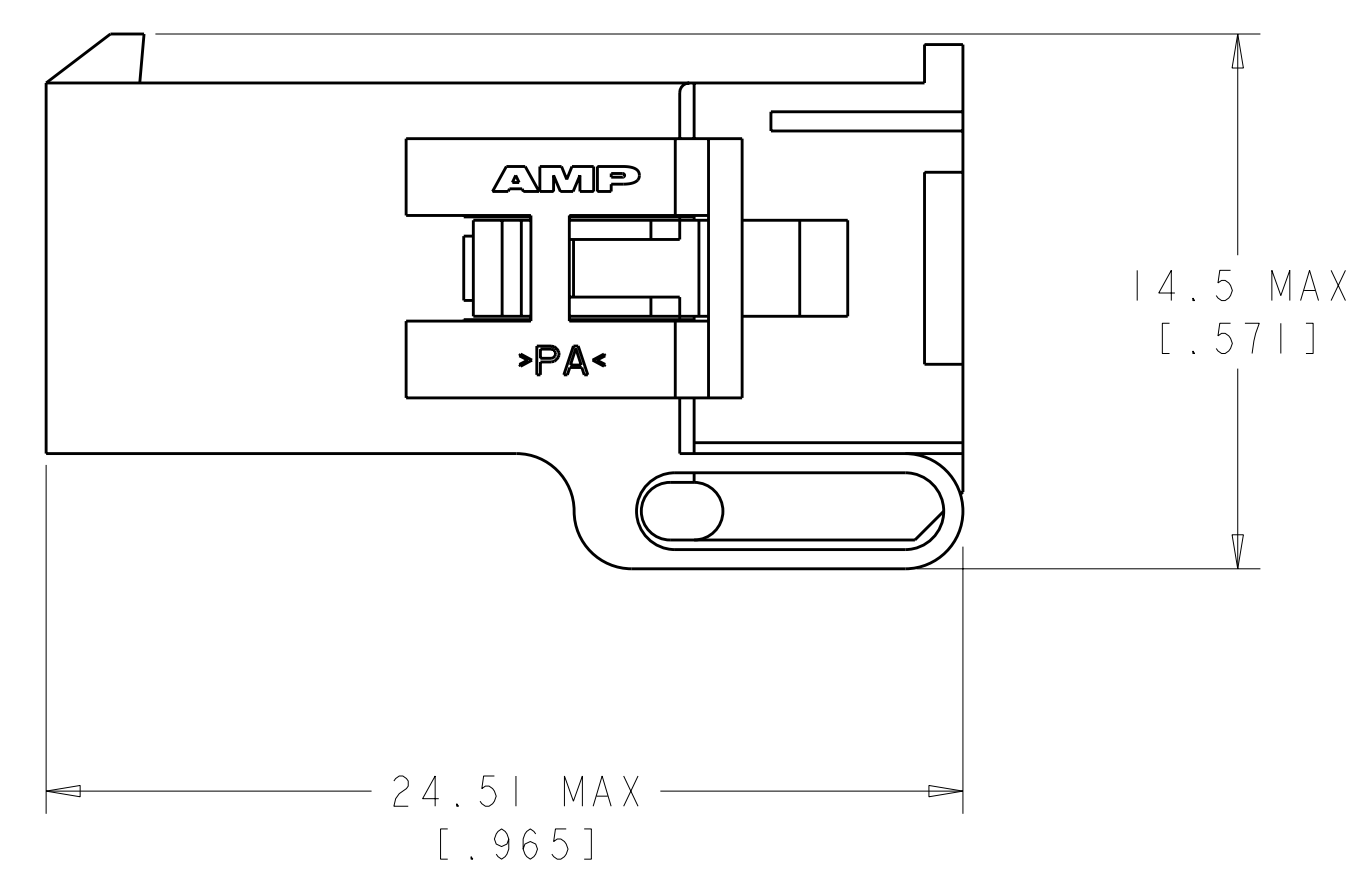
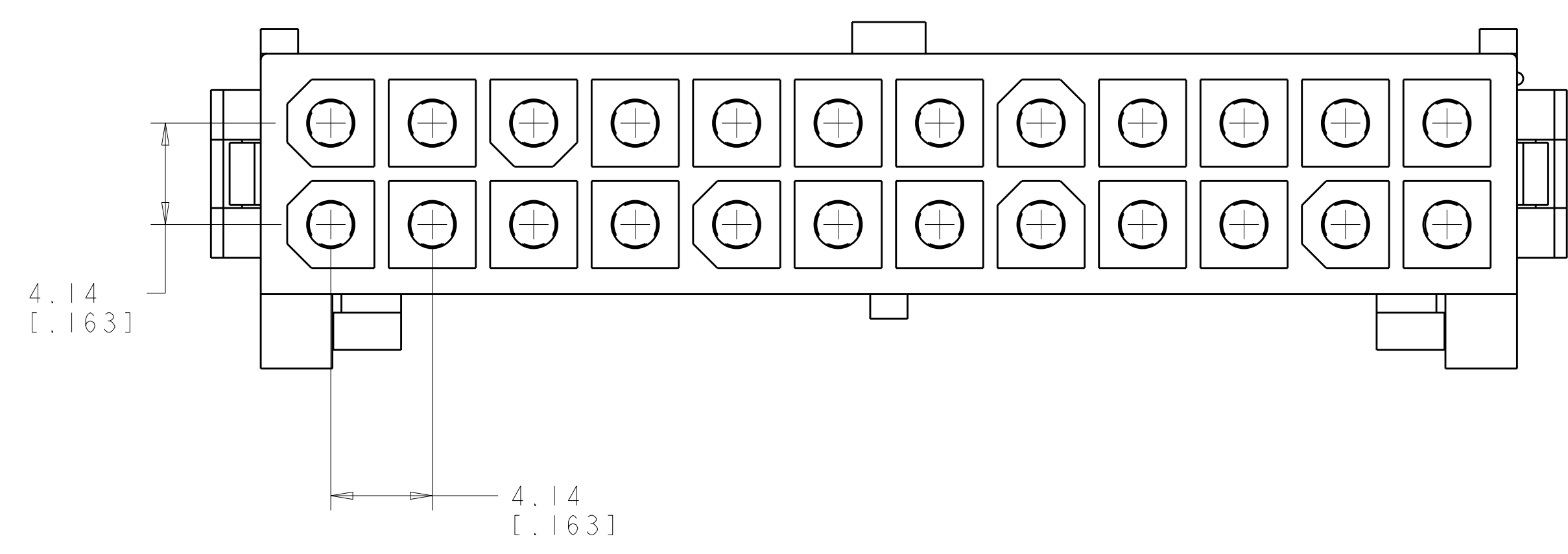


LOC	DIST	REV	DATE	BY	APP'D
CM	00	C1	ECO-07-016419	03AUG2007	KW CJ



PRE-STAGED CONDITION



0.432 IN <sup>3</sup>	794215-1
VOLUME	PART NUMBER

<small>THIS DRAWING IS UNPUBLISHED. RELEASED FOR PUBLICATION. ALL RIGHTS RESERVED. THIS DRAWING IS UNPUBLISHED. RELEASED FOR PUBLICATION. ALL RIGHTS RESERVED. THIS DRAWING IS UNPUBLISHED. RELEASED FOR PUBLICATION. ALL RIGHTS RESERVED.</small>		DWN: R. WHITAKER 01AUG2007 CHK: C. JONES 01AUG2007 APVD: C. JONES 01AUG2007	Tyco Electronics Harrisburg, PA 17105-3608
DIMENSIONS: mm [ INCHES ]	TOLERANCES UNLESS OTHERWISE SPECIFIED: 9 PLC ± 1 PLC ± 2 PLC ±0.13 (1.005) 3 PLC ± 4 PLC ± ANGLES ±40°30'	NAME: CAP, DUAL ROW, 24 CIRCUIT, MINI UNIVERSAL MATE-N-LOK(TM) 2 PRODUCT SPEC: APPLICATION SPEC: SIZE: CAGE CODE: DRAWING NO: A100779C-794215 WEIGHT:	RESTRICTED TO:
MATERIAL: NYLON UL 94V-0, NATURAL FINISH:		CUSTOMER DRAWING	SCALE: 5:1 SHEET 1 OF 1 REV: C1

